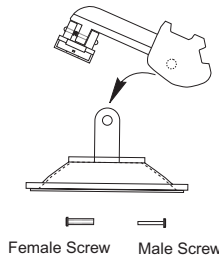
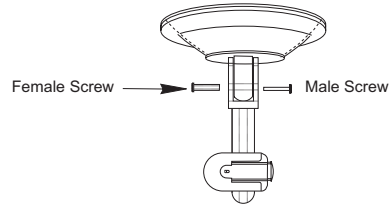


Windshield clip installation / Installation de prince de pare-brise

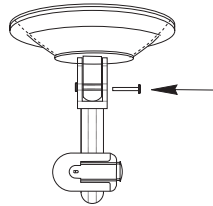
1



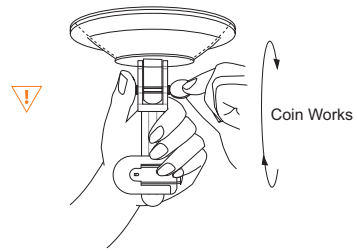
1



2

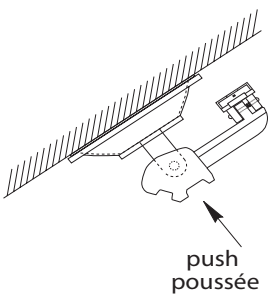


3

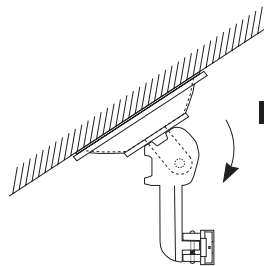


⚠ Warning: Screw to the very end, and check out when loose.
Attention: Screw à la fin, Si vous omettez cette opération, la pince ne sera pas fixée et peut se détacher.

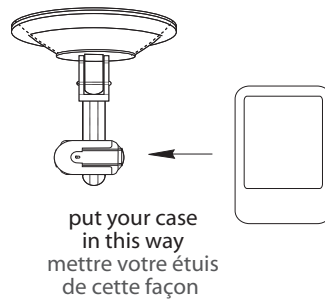
2 A on Windshield / sur le pare-brise



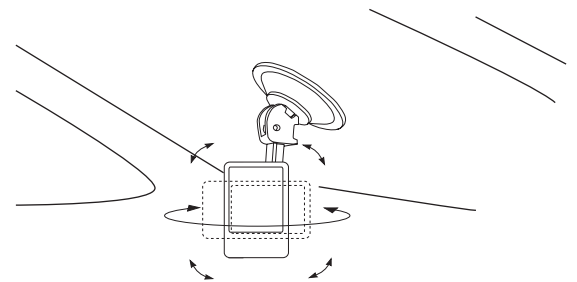
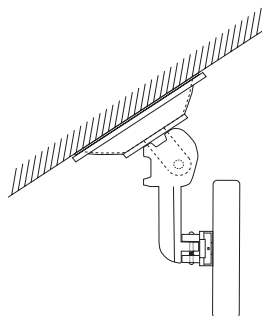
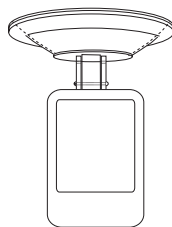
1



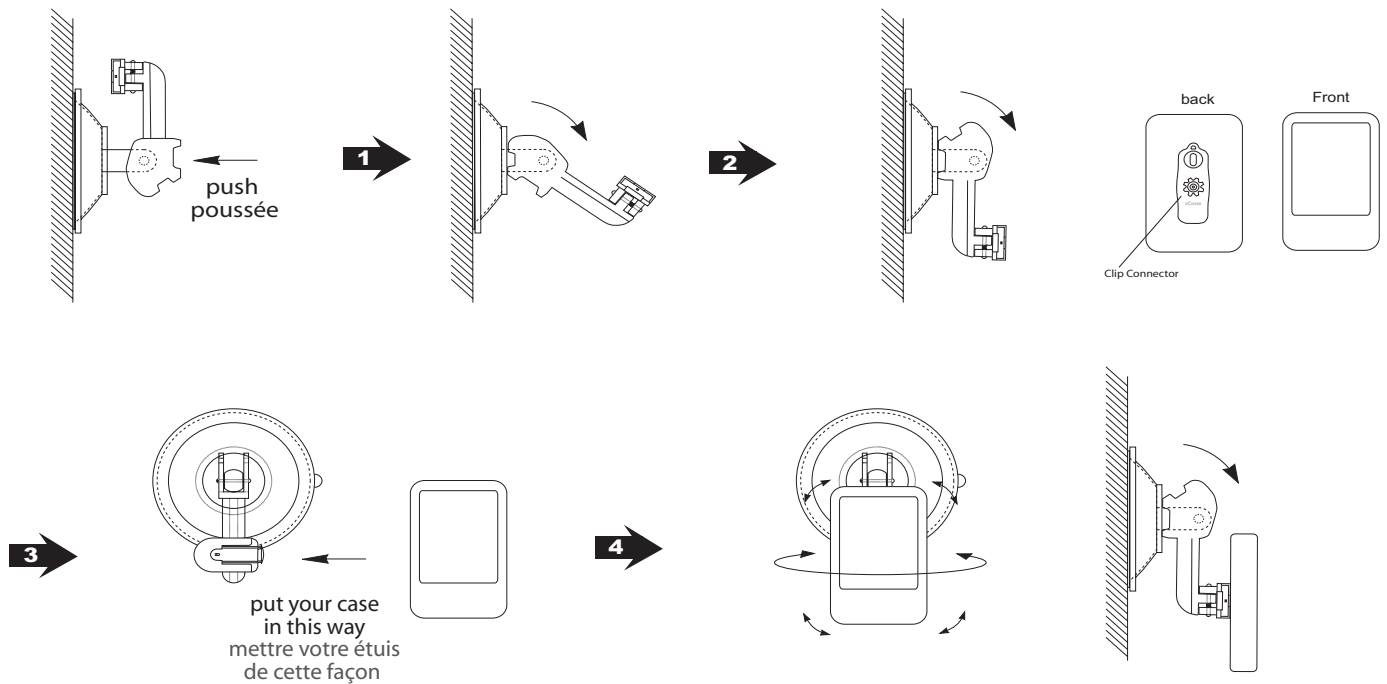
2



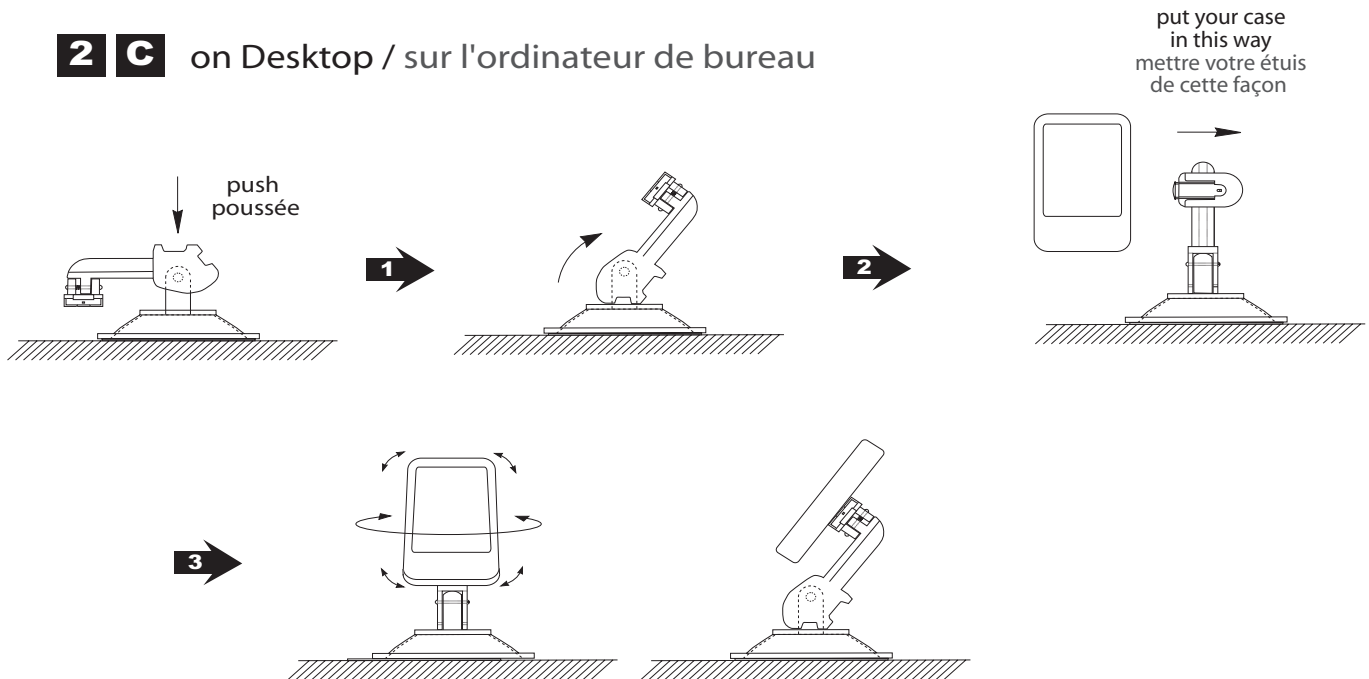
3



2 B on side window / sur la fenêtre latérale



2 C on Desktop / sur l'ordinateur de bureau



NOTICE TO DRIVERS IN CALIFORNIA AND MINNESOTA: State law prohibits drivers in California and Minnesota from using suction mounts on their windshields while operating motor vehicles. Other zCover mounting position should be used. zCover does not take any responsibility for any fines, penalties, or damages that may be incurred as a result of disregarding this notice. (See California Vehicle Code Section 26708(a); Minnesota Statutes 2005, Section 169.71)